

# Antenna TH4056R10

## Circular polarised S-band helical antenna



### Electrical Specifications:

- Frequency Range 4.0 to 5.6 GHz
- Polarisation RHC
- Gain 9.3 dBic at 4.0 GHz  
10.5 dBic at 4.8 GHz  
9.4 dBic at 5.6 GHz
- Midband HPBW 55 deg.
- Power Rating 50 Watt CW
- Impedance 50 Ohms
- VSWR better than 1,3:1
- Front to Back Ratio >20 dB

The helical antenna model TH4056R10 is a directional antenna, specially designed for applications in the frequency range from 4.0 to 5.6 GHz. This rugged, superior constructed circular polarised antenna is enclosed in a hermetically sealed radome. It is designed to withstand ice, snow, high winds and most severe saltwater, oil and most common chemical fumes. The antennas may be used individually or in multiple arrays for increased gain and directivity or specially coverage.

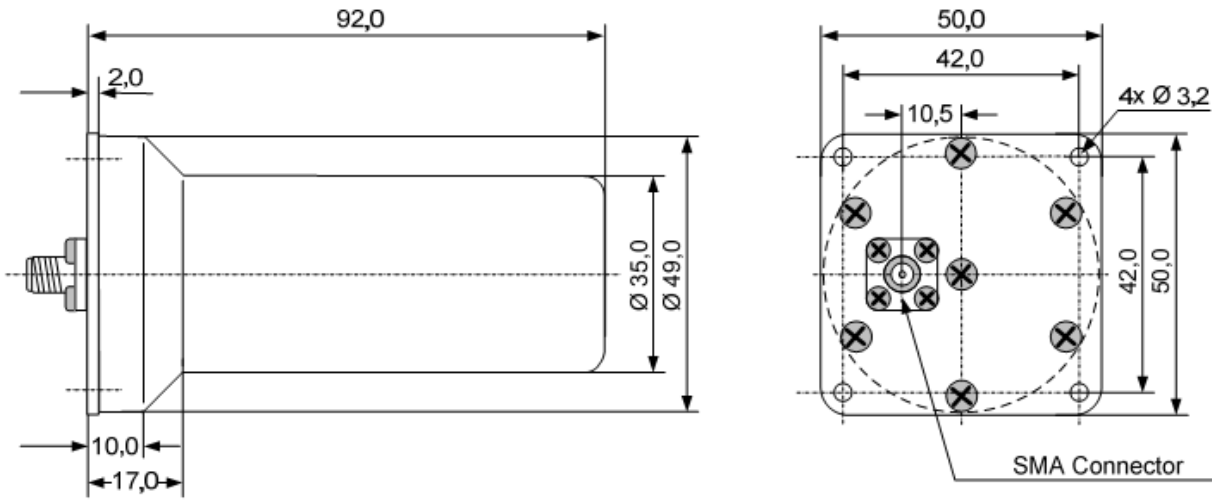
### Mechanical Specifications:

- Connector Type SMA-female
- Antenna Length 92 mm (3.62 inch)
- Reflector Size 50 x 50 mm (2 x 2 inch)
- Materials/Colours radome – POM-C/ white  
reflector- Alu/Alu nature
- Weight ≤ 70 grams (0.18 lb)

### Environmental Specifications:

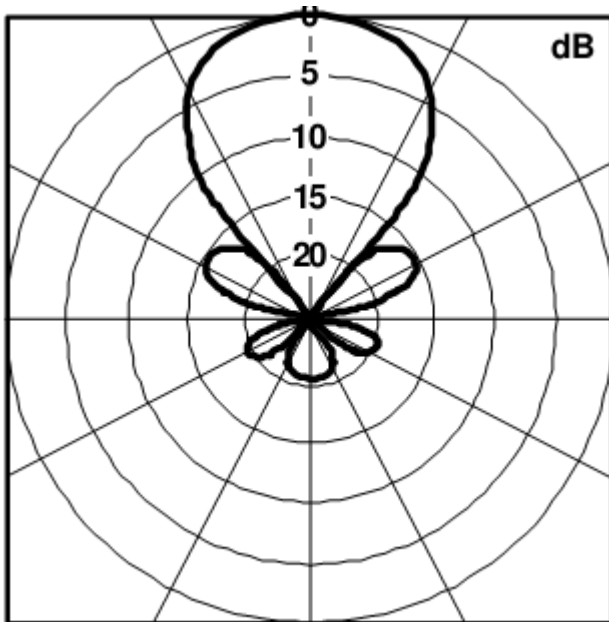
- Temperature Range -40°C to +85°C (-40°F to +185°F)
- Wind Velocity max. 300 km/h (160 mph)

**Outline Dimensions:**



**Typical Radiation Patterns for Azimut and Elevation:**

**TH4056R10 at 5000 MHz**



**Options:**

Following options are available on request:

- LHC polarised unit model no.: TH4056L10